

# Slat Top Chains

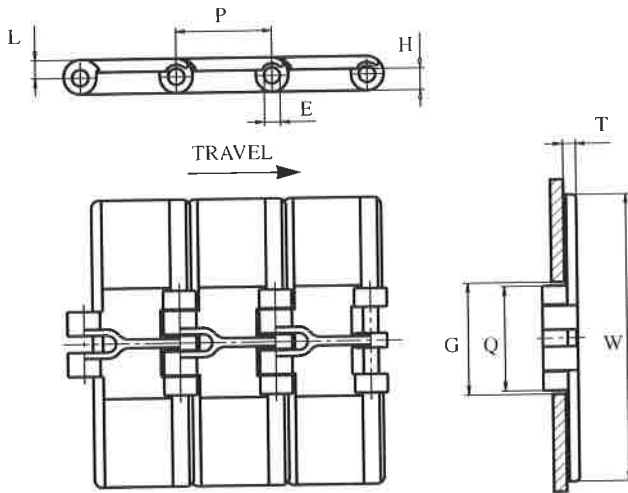
## Plastic • Straight running

Standard materials: Acetal D-grey or white, LF-brown and SLF-green. See page 8.

Special materials: See page 9.

Pin material:  $18/8$  CrNi steel. The chains can be supplied with plastic pins.

Supply unit: 3.048 m = 10 ft.



uni ref. - no.	width W		weight		backfl. radius	
	mm	inch	kg/m	lbs/ft	mm	inch
820-K250	63.5	2 1/2	0.74	0.50	75	3
820-K325	82.6	3 1/4	0.85	0.57	75	3
820-K350	88.9	3 1/2	0.89	0.60	75	3
820-K400	101.6	4	0.95	0.64	75	3
820-K450	114.3	4 1/2	1.03	0.69	75	3
820-K600	152.4	6	1.25	0.84	75	3
820-K750	190.5	7 1/2	1.47	0.99	75	3

uni ref. - no.	width W		weight		backfl. radius	
	mm	inch	kg/m	lbs/ft	mm	inch
831-K250	63.5	2 1/2	0.91	0.61	75	3
831-K325	82.6	3 1/4	1.04	0.70	75	3
831-K350	88.9	3 1/2	1.08	0.73	75	3
820-K400	101.6	4	1.20	0.81	75	3
831-K450	114.3	4 1/2	1.29	0.87	75	3
831-K600	152.4	6	1.56	1.05	75	3
831-K750	190.5	7 1/2	1.82	1.22	75	3

### Sprockets for 820 and 831

uni reference-no.	no. of teeth	bore								pitch diameter		overall diameter		bottom diameter	
		min.		max. plastic		max. cast iron		mm	inch	mm	inch	mm	inch		
		mm	inch	mm	inch	mm	inch								
1-820-19	19	20.0	0.78	40.0	1.57	50.0	2	117.3	4.62	117.1	4.61	104.24	4.10		
1-820-21	21	20.0	0.78	40.0	1.57	50.0	2	129.2	5.09	130.1	5.12	116.15	4.57		
1-820-23	23	20.0	0.78	40.0	1.57	50.0	2	141.2	5.56	142.0	5.59	128.12	5.04		
1-820-25	25	20.0	0.78	40.0	1.57	50.0	2	153.2	6.03	154.2	6.07	140.11	5.52		
1-820-27	27	20.0	0.78	100.0	3.94	57.2	2 1/4	165.2	6.50	166.6	6.56	152.11	5.99		
1-820-29	29	20.0	0.78	100.0	3.94	57.2	2 1/4	177.2	6.98	179.0	7.05	164.13	6.46		
1-820-31	31	20.0	0.78	100.0	3.94	57.2	2 1/4	189.3	7.45	191.3	7.53	176.20	6.94		

Idlers: See page 82. All sprockets are supplied with pilot bore. Plastic sprockets are also available as two part sprockets: See page 80. Sprockets can be supplied with larger bore, contact uni-chains. Other teeth numbers and sprockets in stainless steel are available upon request.

## 820/831

Main application is for transportation of various foodstuffs and containers.

The 820 and 831 chains are the plastic version of the related 812 steel chain. The plastic chains however have a reinforcing middle rib underneath. The plate thickness is 4 mm ( $5/32$  inch) for the 820-series and 5 mm ( $25/128$  inch) for the 831-series.

The plates overlap, so there is no space between the links.

The links are held together by pins secured in a blind hole at one end and a knurling at the other end, therefore the travel direction indicated must be followed.

	mm	inch
E	6.35	1/4
G	44.5	1 3/4
H (820)	9.5	3/8
H (831)	8.5	21/64
L	7.1	9/32
P	38.1	1 1/2
Q	41.5	1 41/64
T (820)	4.0	5/32
T (831)	5.0	25/128

All dimensions are for acetal chains.

chain	Max. permissible tensile force	
	N	lbf
820/831	2000	450

42.3 mm  
1.67 inch

